

SNOW PLOUGH ASSEMBLY AND INSTALLATION



WARNING: AVOID INJURY. Read and understand the entire Safety section before installing and using accessories.

SAFETY RULES

- Always wear gloves when handling accessories
- The weight of the snow plough can cause the skip to drop slightly against the lock plate if the skip-release lever is squeezed. Do not squeeze the lever with snow plough attached.
- Use caution when releasing snow plough from transport position and when lowering to surface.
- It may be necessary to obtain assistance with assembly and installation.

ASSEMBLY

(Figure 20)

1. Insert snow plough blade assembly in to snow plough blade mounting frame and attach with M12 x 80mm hex bolt, two M12 washers and M12 hex nut.
2. Mount lift handle to blade mounting frame and fasten with M8 x 50mm hex bolt, two M8 flat washers and M8 hex nut.
3. Insert angle pin into assembly to keep blade stationary.

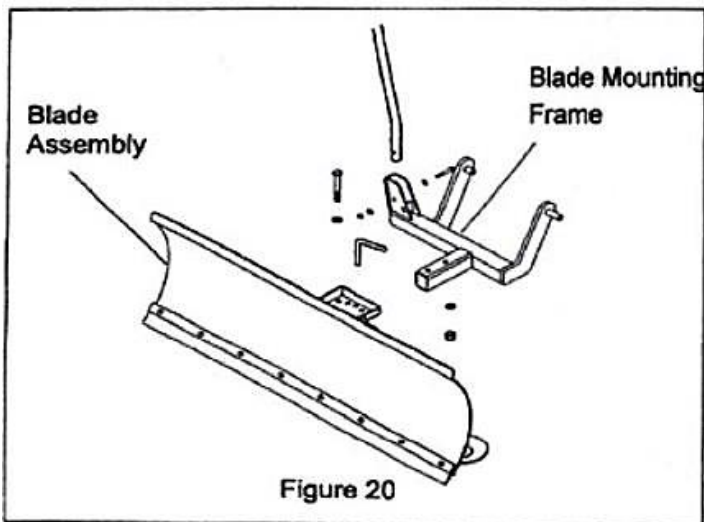


Figure 20

4. Mount handle position bar assembly to skip with two M8 x 20mm hex bolts, four M8 flat washers and two M8 hex nuts (figure 21).

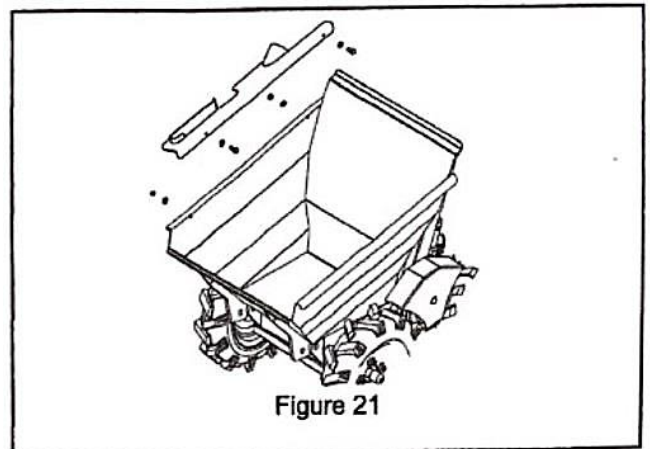


Figure 21

INSTALLATION AND USE

NOTE: Standard skip must be installed on unit to attached snow plough kit.

(Figure 22)

1. Insert snow plough assembly mount pins into bottom holes on front of skip. Install lock plate on left pin with point facing rearward and secure with lynch pin.

IMPORTANT: Lock plate must be installed, or snow plough assembly could separate from unit.

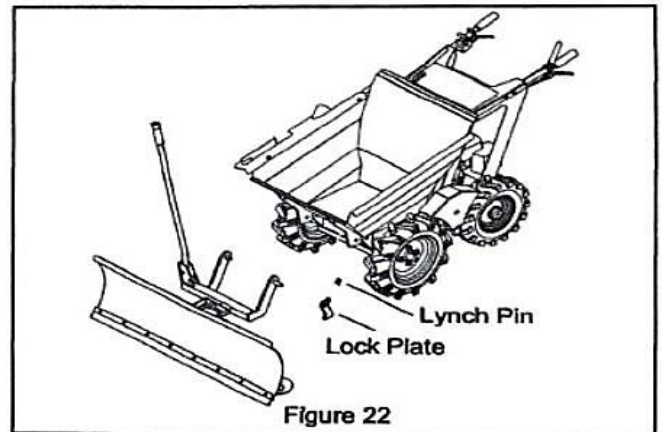
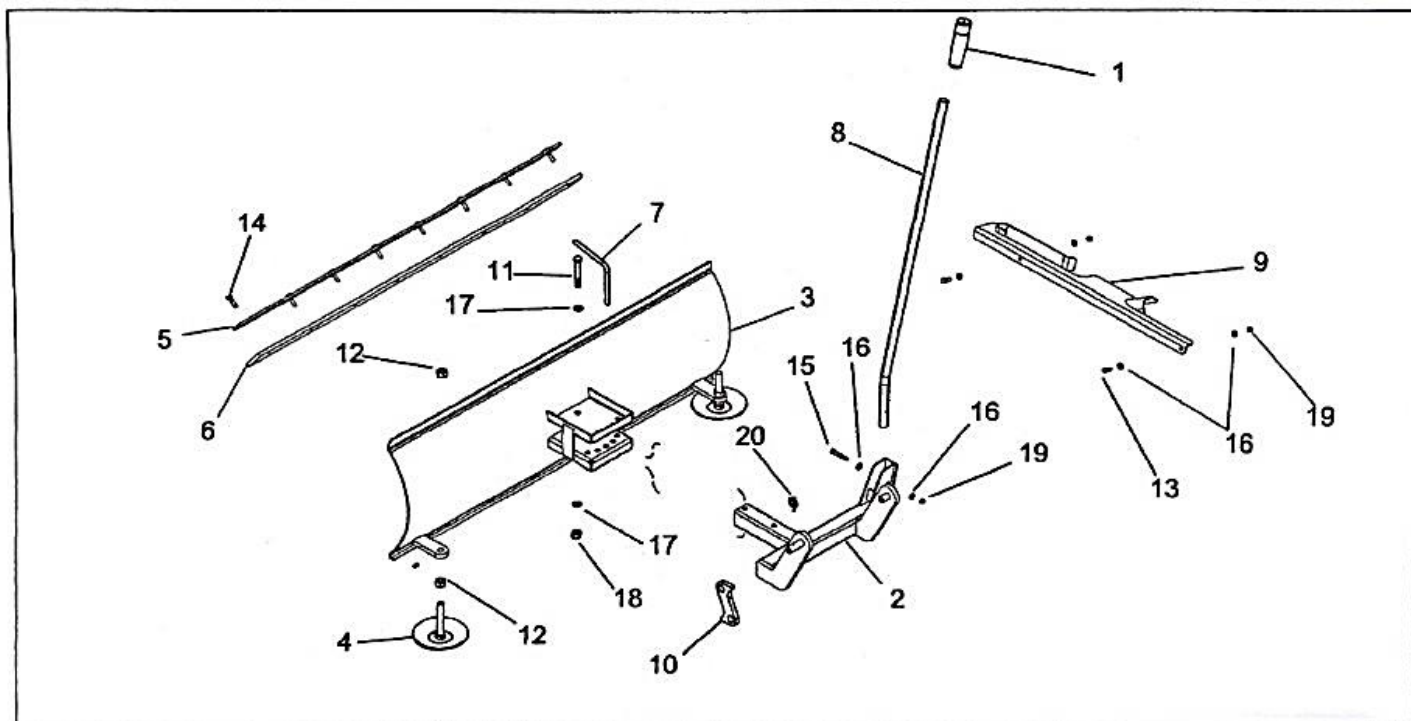


Figure 22

2. Place unit on flat level surface and adjust left and right skid to obtain desired plough cut height. Loosen locking nuts on skids, rotate skid to raise or lower and then tighten locking nuts. Make sure that plough is level from side to side.
3. Adjust plough to desired angle and insert snow plough blade angle pin.
4. Use plough lift handle to raise plough for transport and lower for use.
5. Place lift handle in forward slot on latch assembly to use plough. Pull back on lever and place lift handle in rear slot transport.

SNOW PLOUGH

PARTS LIST



Item	Part No.	Qty	Description
1	-	1	22mm x 135mm Handle Grip
2	MT03992	1	Blade Mounting Frame
3	MT04005	1	Snow Plough Blade
4	MT03056	2	Skid
5	MT03225	1	Scraper Clam Plate
6	MT03506	1	122cm Poly Scraper
7	MT03068	1	Angle Pin
8	MT03065	1	Lift Latch Handle
9	MT04001	1	Handle Position Bar
10	-	1	Lock Plate
11	-	1	M12 x 80mm Hex Bolt
12	-	4	M16 Standard Full Hex Nut
13	-	2	M8 x 20mm Hex Bolt
14	-	8	M8 x 35mm Hex Bolt
15	-	1	M8 x 50mm Hex Bolt
16	-	6	Regular Flat M8 Washer
17	-	2	Regular Flat M12 Washer
18	-	1	M12 Nyloc Locking Nut
19	-	11	M8 Nyloc Locking Nut
20	DP31	1	Lynch Pin