


## RAMP KIT – 795715

### Assembly and Installation

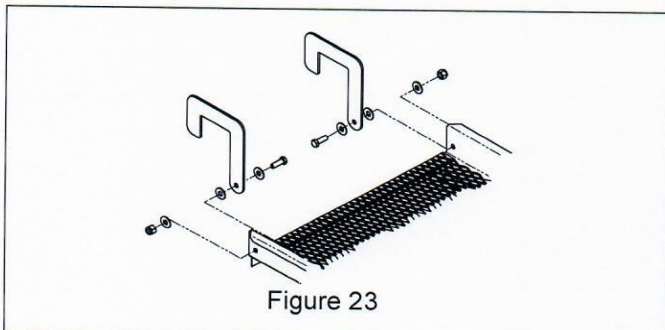
 **WARNING:** Ramp has a maximum capacity of 992 lb. (450 kg) DO NOT overload.

### SAFETY RULES

- Always wear gloves when handling ramp components.
- Approximate ramp weights are 77 lb. (35 kg) for the upper section and 44 lb. (20 kg) for the lower section. It may be necessary to obtain assistance with handling, assembly and disassembly.
- Erect ramp on a flat, level surface.
- Ensure that the ramp is used in a safe manner.
- Keep area around ramp free of debris.
- Ramp capacity is 992 lb. (450 kg) DO NOT overload.


### Assembly

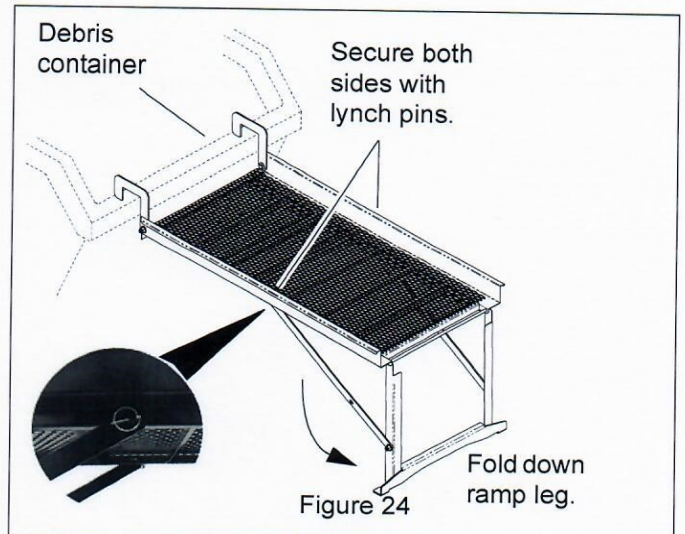
Remove hardware attaching ramp hooks to the ramp platform and retain. Attach ramp hooks to the front of ramp platform using two 1/2 x 1-1/2" hex bolts, six 1/2" flat washers, and two 1/2" lock nuts just removed (Figure 23).



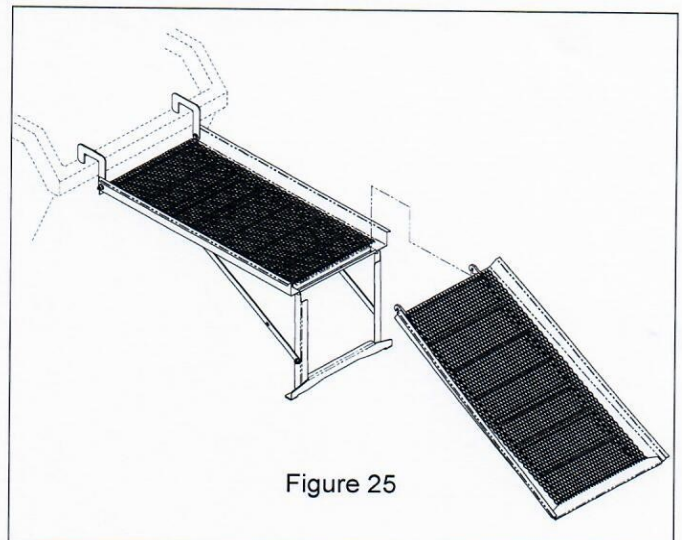
### Installation And Use

1. Remove lynch pins securing ramp support straps to the ramp leg and retain.
2. Unfold ramp leg to open position and attach ramp support straps to pins on ramp platform. Secure both sides with lynch pins (Figure 24).
3. Attach ramp platform hooks to edge of debris container.

 **CAUTION:** Make sure that upper ramp assembly is securely attached to container and ramp leg is on flat level surface.



4. Attach the lower ramp section to the support bar on the upper ramp assembly (Figure 25).

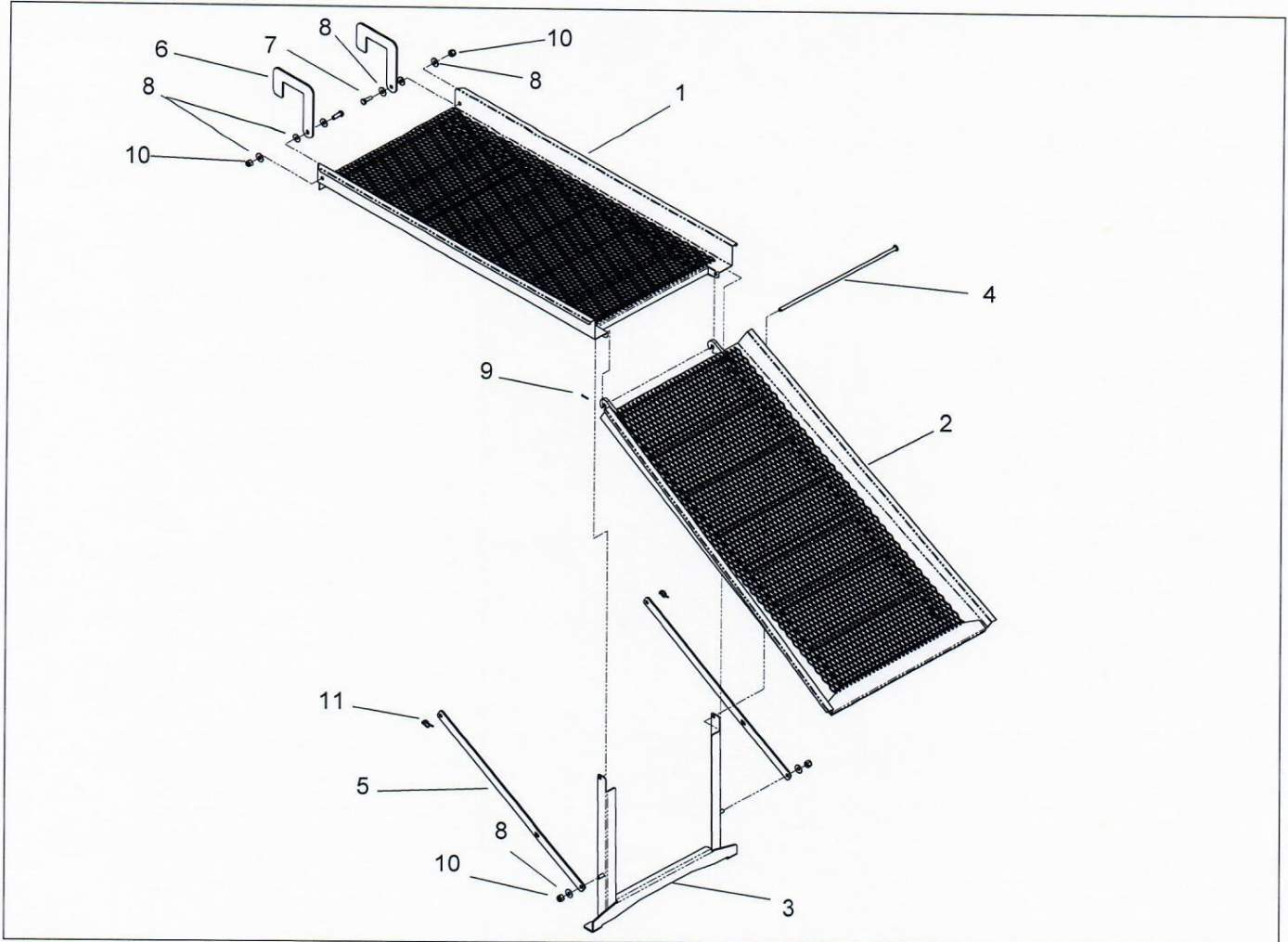


To store for transport:

1. Remove lower ramp section.
2. Remove upper ramp from debris container.
3. Remove lynch pins from support strap pins and fold support straps and ramp leg into transport position.
4. Install lynch pins to retain support straps.

**RAMP KIT – 795715 (CONT'D)**

**Parts List**



| Item | Part No. | Qty. | Description               |
|------|----------|------|---------------------------|
| 1    | 03774351 | 1    | Weldment, Ramp Platform   |
| 2    | 03774451 | 1    | Weldment, Ramp Lower      |
| 3    | 03774551 | 1    | Weldment, Ramp Leg        |
| 4    | 03774651 | 1    | Weldment, Ramp Pin        |
| 5    | 03774751 | 2    | Strap, Ramp Support       |
| 6    | 03774951 | 2    | Plate, Ramp Hook – US     |
| 7    | 00960114 | 2    | Bolt, Hex 1/2-13 x 1.50"  |
| 8    | 00960704 | 8    | Washer, Regular Flat .50" |
| 9    | 00962017 | 1    | Pin, Cotter .125 x 1.00"  |
| 10   | 00964015 | 4    | Nut, Lock 1/2-13" Nyloc   |
| 11   | 00967212 | 2    | Pin, Lynch .188 x 1.25"   |