

## FLAT BED KIT – 795718

### Assembly and Installation



**WARNING: AVOID INJURY.** Read and understand the entire *Safety* section before installing and using accessories.

### SAFETY RULES

- Always wear gloves when handling accessories.
- Approximate flatbed weight is 55 lb. (25 kg). It may be necessary to obtain assistance with assembly and installation.

### Assembly

(Figure 26)

Attach handle assembly to the flat bed assembly using four 3/8 x 1" hex bolts and four 3/8" lock nuts. See Figure 26.

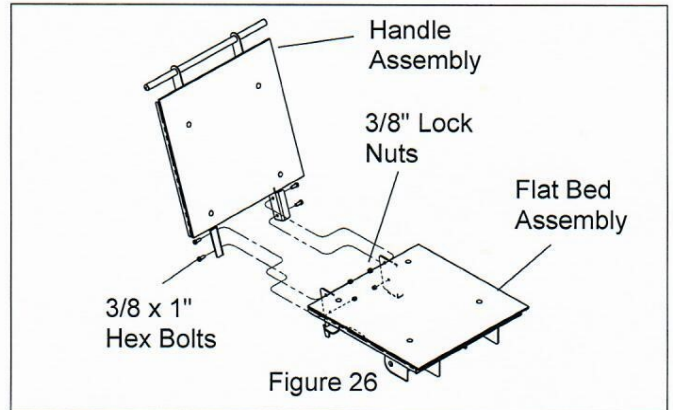
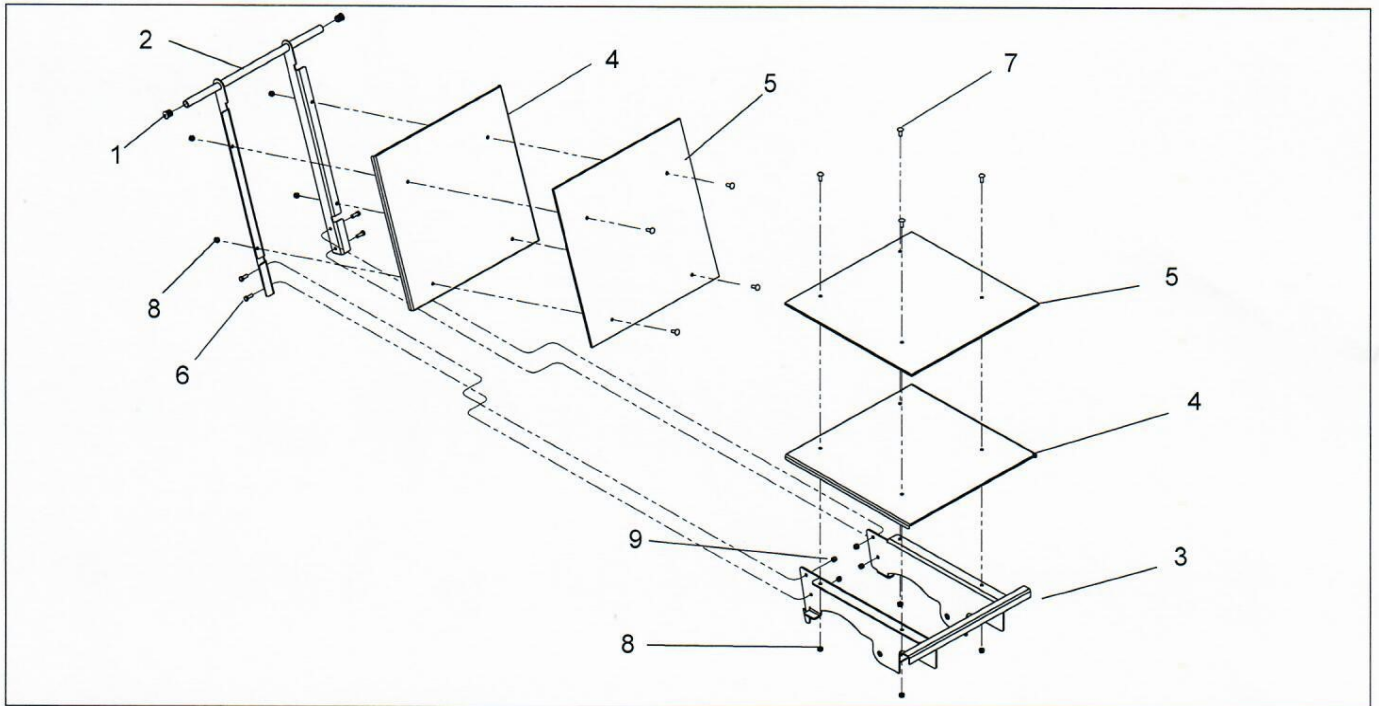


Figure 26

### Installation And Use

1. Remove lynch pin securing existing attachment to unit and remove accessory.
2. Attach flat bed accessory to front hinge pins on unit and secure with lynch pin.
3. To dump contents, squeeze skip-release lever and lift up on unit handlebars.

### Parts List



Item	Part No.	Qty.	Description
1	00180639	2	Plug .875" Hole
2	03775151	1	Weldment, Handle
3	03775251	1	Weldment, Flat Bed
4	03775851	2	Plate, Bed
5	03775900	2	Sheet, Rubber
6	00960046	4	Bolt, Hex 3/8-16 x 1.00"
7	00963019	8	Bolt, Carriage 3/8-16 x 1.00"
8	00964016	8	Nut, Locking Top Flange 3/8-16
9	00968087	4	Nut, Locking Nyloc 3/8-16