


ACCESSORIES

TOW HITCH KIT – 795710

Assembly and Installation

 **WARNING: AVOID INJURY.** Read and understand the entire *Safety* section before installing and using accessories.

SAFETY RULES

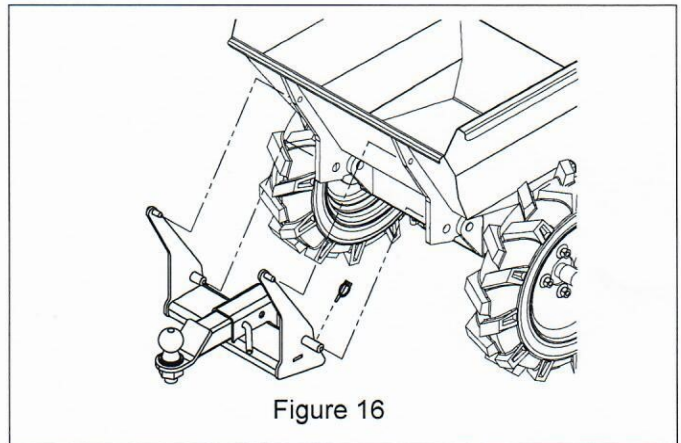
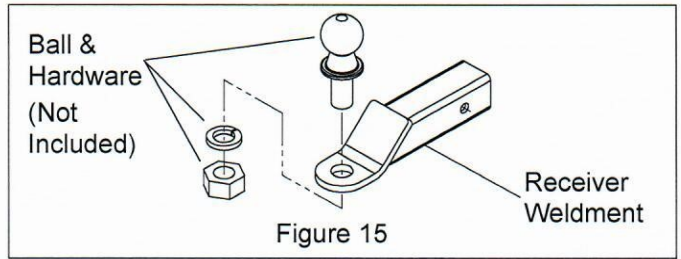
- Always wear gloves when handling accessories.
- Standard skip must be mounted to unit to attach tow hitch kit.
- Make sure that the skip release is fully engaged before placing a load on the tow hitch.
- A loaded tow hitch can cause the skip to drop slightly if the skip-release lever is squeezed. Do not squeeze the lever when there is a load on the hitch.

Assembly

1. Install trailer ball onto receiver weldment and tighten hardware (Figure 15).

NOTE: Receiver weldment has a 1" (25.4 mm) hole.

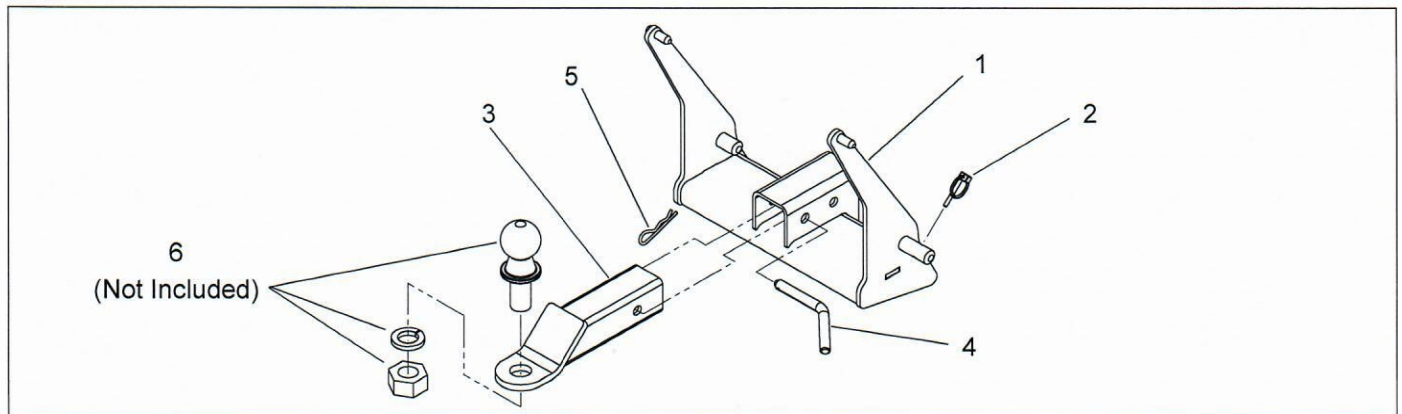
2. Insert receiver into tow hitch weldment to desired depth and secure with receiver hitch pin and hair pin.



Installation

1. Insert four tow hitch weldment pins into four holes in reinforcement bars on front of skip. (Figure 16)
2. Secure with lynch pin.

Parts List



Item	Part No.	Qty.	Description
1	03767451	1	Weldment, Tow Hitch
2	00967212	1	Pin, Lynch .188 x 1.25"
3	03826051	1	Weldment, Receiver
4	03826100	1	Pin, Receiver Hitch
5	00967003	1	Pin, Hair .125 x 2.56, 7/16-.75"
6	N/A	1	Trailer Ball (Not Included)