

SKIP EXTENSION KIT – 795712

Assembly and Installation



WARNING: AVOID INJURY. Read and understand the entire *Safety* section before installing and using accessories.

SAFETY RULES

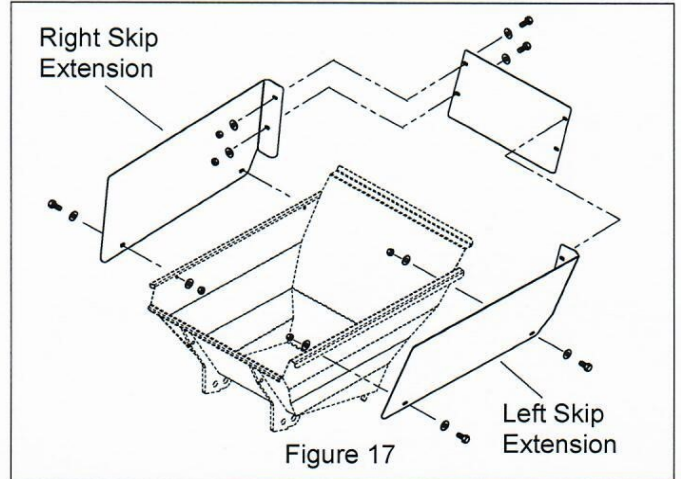
- Always wear gloves when handling accessories.
- Skip extensions do not increase weight capacity of unit, only volume capacity. DO NOT exceed maximum weight capacity.
- Extension kit is designed to fit Muck-Truck Mk IV and MAX Mk II skips.

Installation

(Figure 17)

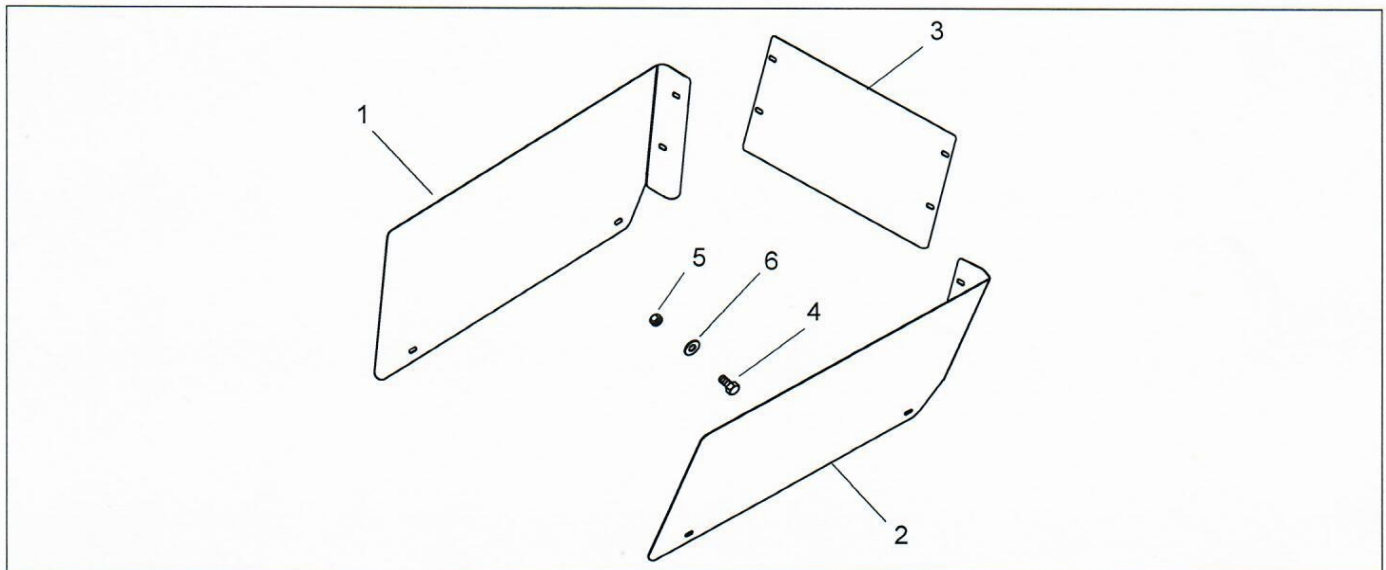
1. Attach right extension to right side of skip with two 5/16 x 3/4" hex bolts, four 5/16" flat washers and two 5/16" locking nuts. Do not fully tighten.

2. Attach left extension to left side of skip with two 5/16 x 3/4" hex bolts, four 5/16" flat washers and two 5/16" locking nuts. Do not fully tighten.
3. Attach center extension to side extensions with four 5/16 x 3/4" hex bolts, eight 5/16" flat washers and four 5/16" locking nuts.



4. Align all panels and tighten hardware.

Parts List



Item	Part No.	Qty.	Description
1	03769351	1	Weldment, Right Hand Extension
2	03769951	1	Weldment, Left Hand Extension
3	03769251	1	Weldment, Center Section
4	00960022	8	Bolt, Hex 5/16-18 x .75"
5	00967115	8	Nut, Locking Nyloc 5/16"
6	00961702	16	Washer, Flat M8